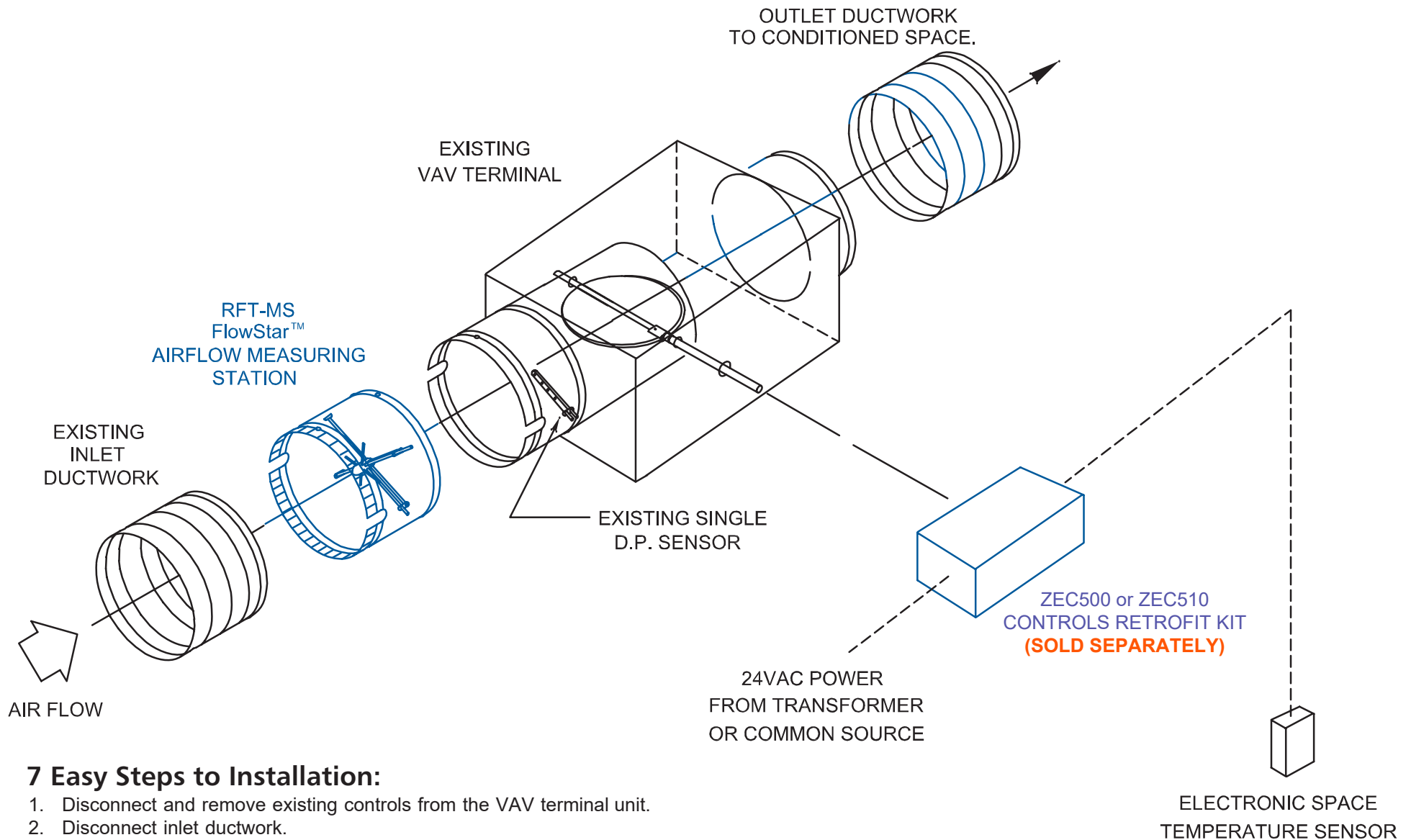


ENVIRO-TEC Retrofit Packages

(RFT-MS Measuring Station and ZEC500 or ZEC510
DDC (Direct Digital Control) Retrofit Kit



7 Easy Steps to Installation:

1. Disconnect and remove existing controls from the VAV terminal unit.
2. Disconnect inlet ductwork.
3. Install the RFT-MS measuring station in series with the existing VAV box.
4. Reconnect the inlet ductwork.
5. Install the ZEC500 or ZEC510 DDC Retrofit Kit as shown in the kit installation instructions.
6. Connect the FlowStar™ sensor to the retrofitted controls.
7. Install electronic space sensor in place of existing thermostat.