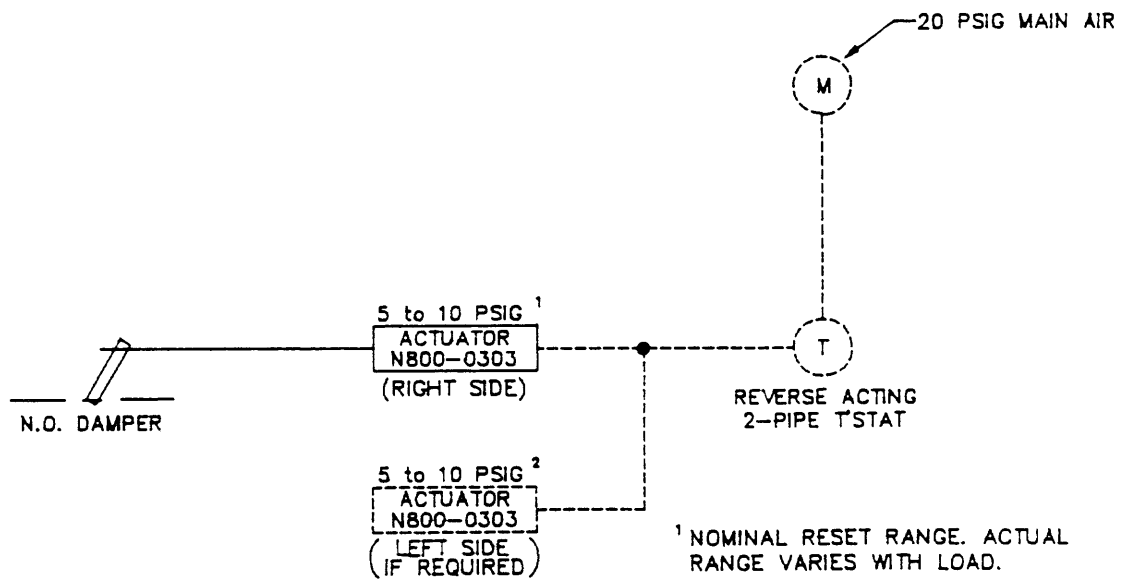
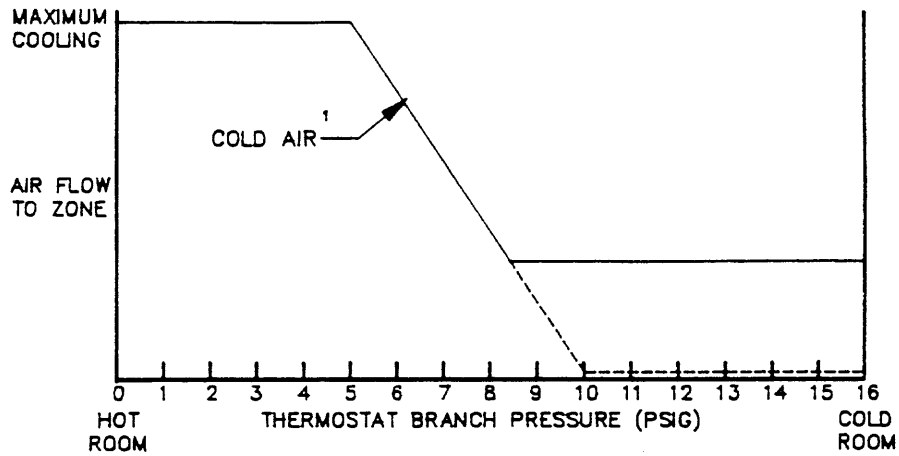


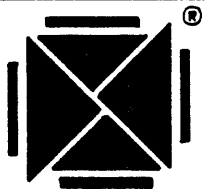
ENVIRO-TEC™ SUBMITTAL DATA

This control sequence provides single duct bypass variable air volume cooling. As space temperature drops, airflow to the zone is decreased. The maximum or minimum airflow setpoint is field calibrated by adjusting the damper linkage. A reverse acting, two-pipe thermostat is required. Damper is normally open.



¹ NOMINAL RESET RANGE. ACTUAL RANGE VARIES WITH LOAD.
² UNIT SIZES 14 AND LARGER REQUIRE TWO ACTUATORS

————— FACTORY PIPING - - - - - FIELD PIPING



ENVIRONMENTAL TECHNOLOGIES, A CORPORATION

BT006

PRESSURE DEPENDENT
PNEUMATIC CONTROLS

DRAWN BY: NANCE	DATE: 14 JUL 89
REV NO: 00	REV DATE:
APPROVED BY: <i>SGW</i>	DRAWING NO: 12886