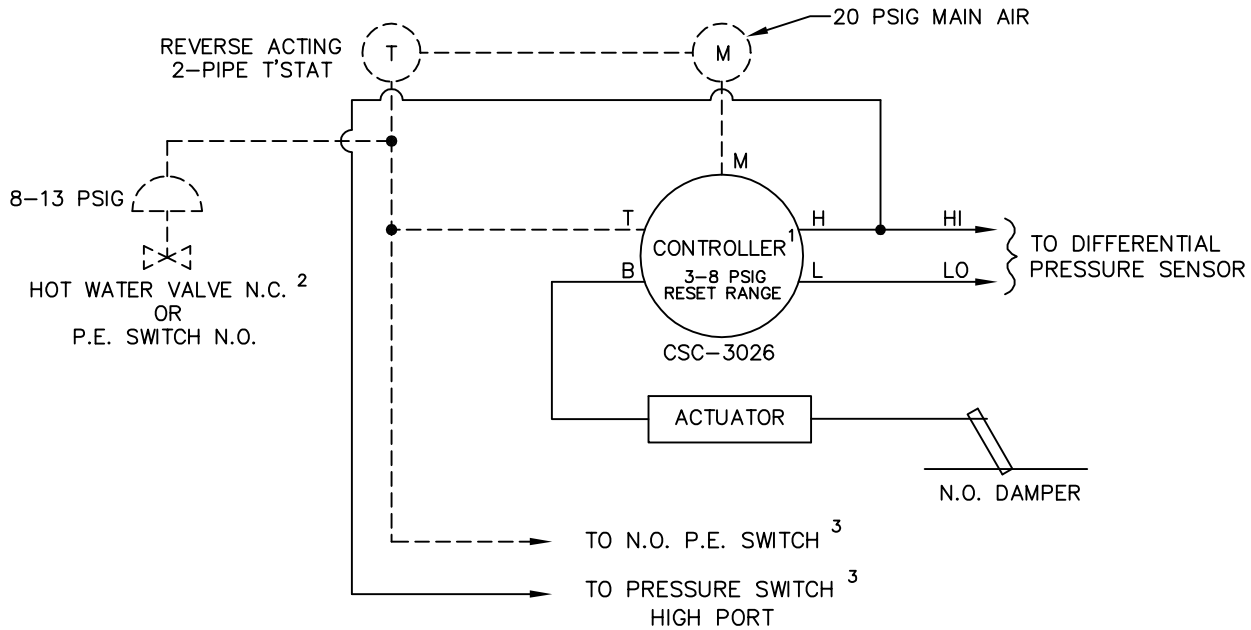
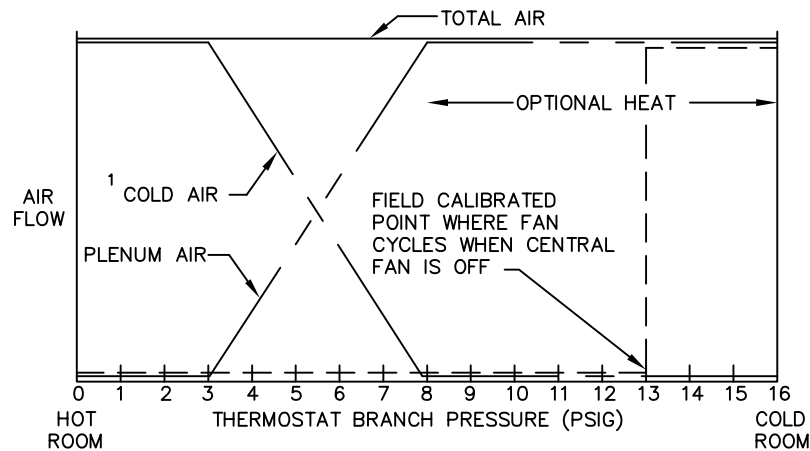


A reverse acting, two-pipe thermostat is required. Damper is normally open. Optional reheat control will require a normally closed hot water valve or a normally open P.E. switch. All air to room flows through the fan. The thermostat modulates the cold air damper. Unit fan draws air either from the cold duct or the ceiling plenum to maintain a desired room temperature. If warm plenum air fails to satisfy load, an optional electric heater or hot water coil valve is energized. An air pressure switch deenergizes the unit fan when the central system is shut down. The thermostat will override this switch and start the unit fan on a call for heating. The controller can be calibrated to provide a constant reset range regardless of airflow limits.



1 CONTROLLER REQUIRES FIELD CALIBRATION AND SETUP UNLESS OTHERWISE SPECIFIED. IF FACTORY CALIBRATION OPTION IS USED, THE RESET SPAN AND STARTPOINT WILL BE ADJUSTED AS SHOWN ABOVE UNLESS OTHERWISE SPECIFIED.

2 HOT WATER VALVE SUPPLIED BY OTHERS

3 REFER TO MOTOR WIRING DIAGRAM OR ELECTRIC HEAT DIAGRAM (IF APPLICABLE).

— FACTORY PIPING - - - - FIELD PIPING - - - - FACTORY WIRING PNEUMATIC AIR CONSUMPTION 1.0 SCFH



TITLE:	FC408RC PRESSURE INDEPENDENT PNEUMATIC CONTROLS
THIS DRAWING CONTAINS PROPRIETARY DATA. UNAUTHORIZED DISCLOSURE, REPRODUCTION, OR USE IS STRICTLY PROHIBITED WITHOUT WRITTEN PERMISSION	

DRN BY:	DATE:	DRAWING NO.
AWW	04/04/98	17826
CKD BY:	DATE:	
WAE	08/19/08	04