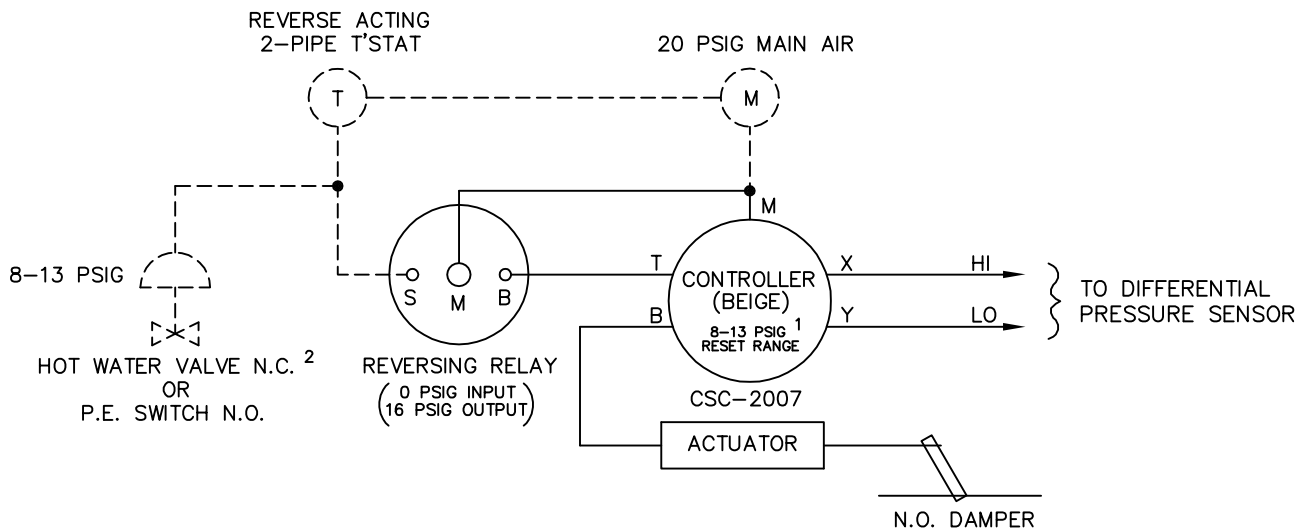
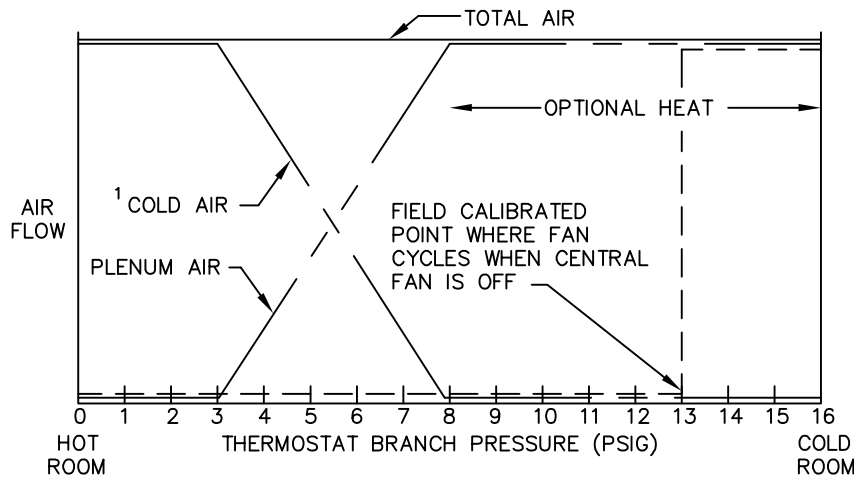


A reverse acting, two-pipe thermostat is required. Damper is normally open. Optional reheat control will require a normally closed hot water valve or a normally open P.E. switch. All air to room flows through the fan. The thermostat modulates the cold air damper. Unit fan draws air either from the cold duct or the ceiling plenum to maintain a desired room temperature. If warm plenum air fails to satisfy load, an optional electric heater or hot water coil valve is energized. A separate signal (by others) cycles the unit fan and heat for day/night operation thru a normally open P.E. switch.



¹ CONTROLLER REQUIRES FIELD CALIBRATION AND SET UP UNLESS OTHERWISE SPECIFIED. CONTROLLER RESET RANGE WILL VARY WITH AIR FLOW LIMITS.

² HOT WATER VALVE SUPPLIED BY OTHERS. P.E. SWITCH IS INCLUDED IN ELECTRIC HEATER (IF APPLICABLE).

³ REFER TO MOTOR WIRING DIAGRAM OR ELECTRIC HEAT DIAGRAM (IF APPLICABLE). FAN P.E. SWITCH TO BE NORMALLY OPEN.

————FACTORY PIPING - - - -FIELD PIPING - - - -FACTORY WIRING

PNEUMATIC AIR CONSUMPTION 1.1 SCFH

	TITLE: FC412R PRESSURE INDEPENDENT PNEUMATIC CONTROLS	DRN BY: NANCE	DATE: 05/03/93	DRAWING NO. 16258
	<small>THIS DRAWING CONTAINS PROPRIETARY DATA. UNAUTHORIZED DISCLOSURE, REPRODUCTION, OR USE IS STRICTLY PROHIBITED WITHOUT WRITTEN PERMISSION</small>	CKD BY: WAE	DATE: 08/19/08	