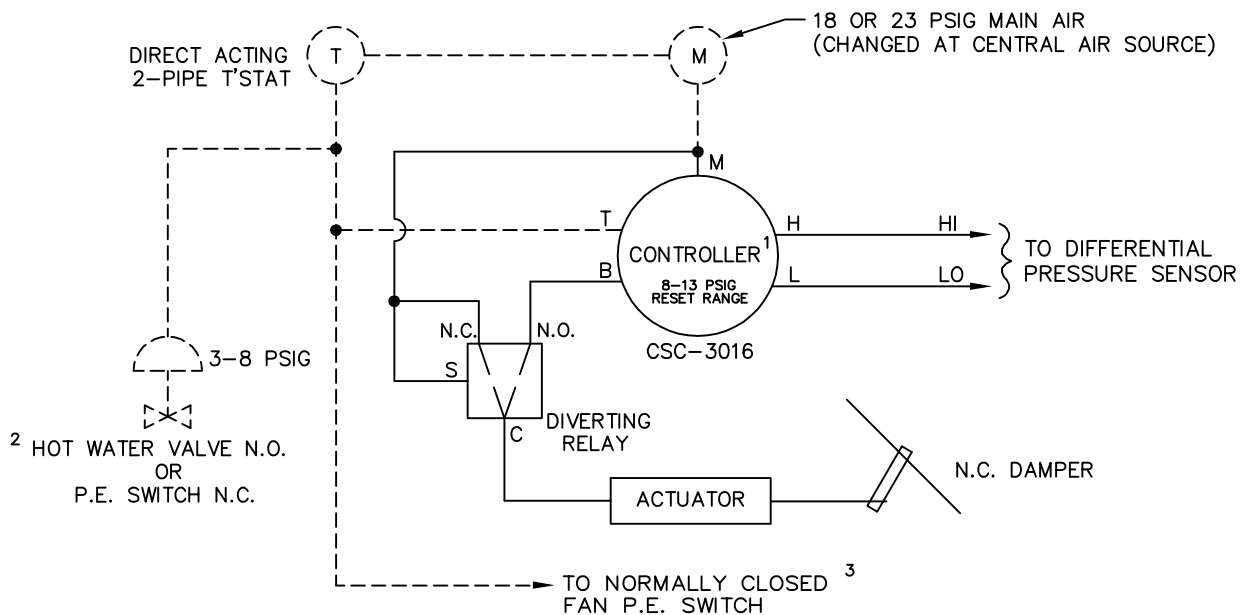
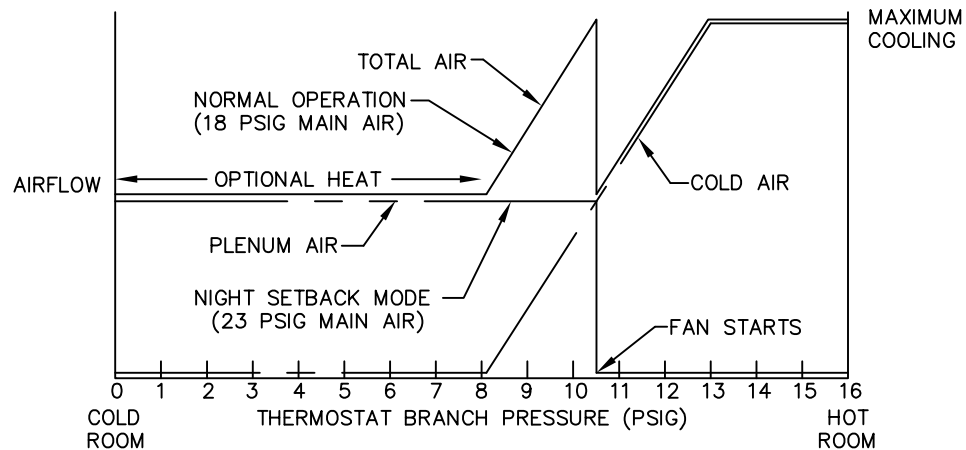


A direct acting, two-pipe thermostat is required. Damper is normally closed. Optional reheat control will require a normally open hot water valve or a normally closed P.E. switch. As the space temperature decreases, the primary air damper modulates from maximum CFM setpoint to shut-off. When the primary air has decreased to a field adjustable CFM, the unit fan is energized thus supplying cold air mixed with ceiling plenum air to the space. If the space temperature continues to drop when the unit is supplying plenum air only, an optional electric heater or hot water coil valve is energized to satisfy load. When main air pressure is increased from 18 PSIG to 23 PSIG, the primary air damper remains closed for nightset operation. The controller can be calibrated to provide a constant reset range regardless of airflow limits.



¹ CONTROLLER REQUIRES FIELD CALIBRATION AND SETUP UNLESS OTHERWISE SPECIFIED. IF FACTORY CALIBRATION OPTION IS USED, THE RESET SPAN AND STARTPOINT WILL BE ADJUSTED AS SHOWN ABOVE UNLESS OTHERWISE SPECIFIED.

³ REFER TO MOTOR WIRING DIAGRAM OR ELECTRICAL HEAT DIAGRAM (IF APPLICABLE).

² HOT WATER VALVE SUPPLIED BY OTHERS P.E. SWITCH IS INCLUDED IN ELECTRIC HEATER

———FACTORY PIPING - - - - -FIELD PIPING

PNEUMATIC AIR CONSUMPTION 1.0 SCFH



TITLE:	FV407RC
	PRESSURE INDEPENDENT PNEUMATIC CONTROLS
<small>THIS DRAWING CONTAINS PROPRIETARY DATA. UNAUTHORIZED DISCLOSURE, REPRODUCTION, OR USE IS STRICTLY PROHIBITED WITHOUT WRITTEN PERMISSION</small>	

DRN BY:	DATE:	DRAWING NO.
AWW	04/04/96	
CKD BY:	DATE:	17839
WAE	10/07/08	
	REV:	
	03	