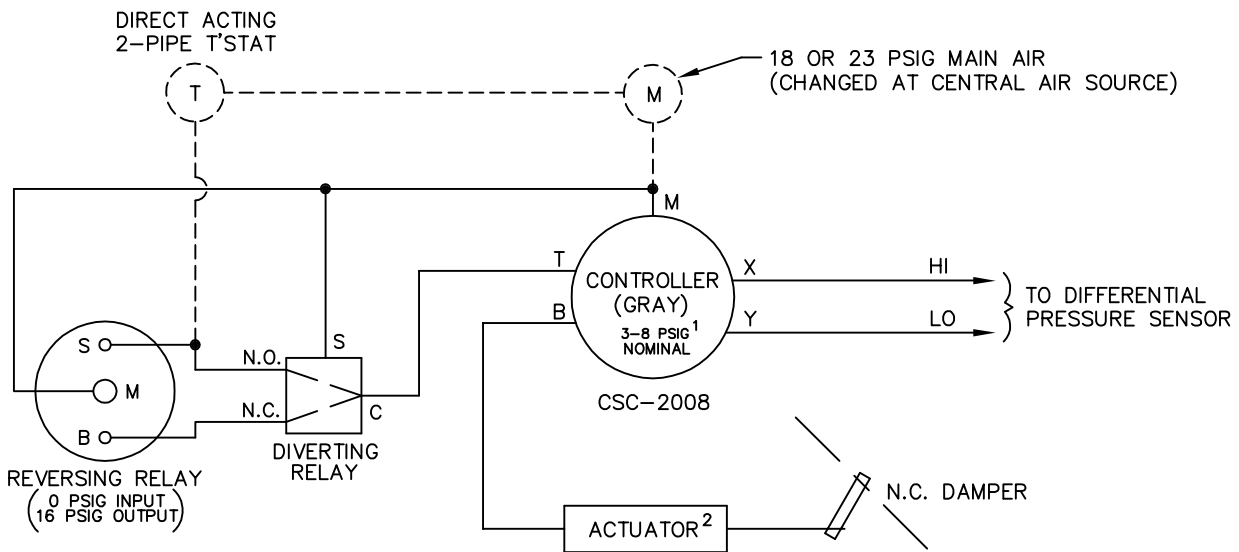
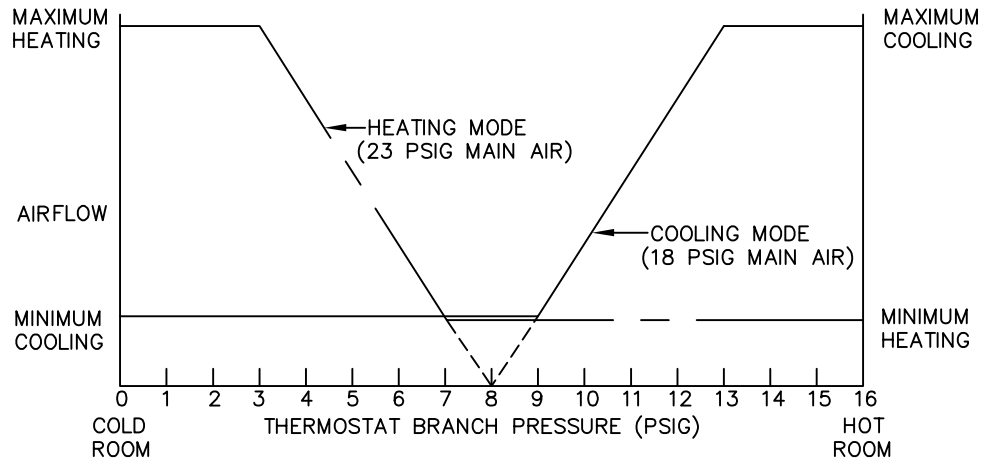


A direct acting, two-pipe thermostat is required. Damper is normally closed. With 18 PSIG main air pressure, variable volume control with cold supply air is achieved. On a rise in space temperature cold airflow is increased. On a drop in space temperature cold airflow is decreased. With 23 PSIG main air pressure, variable volume control with hot air supply is achieved. On a rise in space temperature hot airflow is decreased. On a drop in space temperature hot airflow is increased. Maximum and minimum CFM setpoints are field adjustable. Control of the cold or hot supply air is between these setpoints.



¹ CONTROLLER REQUIRES FIELD CALIBRATION AND SET UP UNLESS OTHERWISE SPECIFIED. IF FACTORY CALIBRATION OPTION IS USED, THE RESET SPAN AND STARTPOINT WILL BE ADJUSTED AS SHOWN ABOVE UNLESS OTHERWISE SPECIFIED.

² HOT WATER VALVE SUPPLIED BY OTHERS P.E. SWITCH IS INCLUDED IN ELECTRIC HEATER

³ UNIT SIZES 19 & 22 UTILIZE DUAL ROTARY PNEUMATIC DAMPER ACTUATORS.

———FACTORY PIPING - - - - -FIELD PIPING

PNEUMATIC AIR CONSUMPTION 1.1 SCFH

	TITLE:	SD423R	DRN BY:	AWW	DATE:	05/08/94	DRAWING NO.	16369
		PRESSURE INDEPENDENT PNEUMATIC CONTROLS	CKD BY:	WAE	DATE:	10/08/08	REV:	
<small>THIS DRAWING CONTAINS PROPRIETARY DATA. UNAUTHORIZED DISCLOSURE, REPRODUCTION, OR USE IS STRICTLY PROHIBITED WITHOUT WRITTEN PERMISSION</small>								