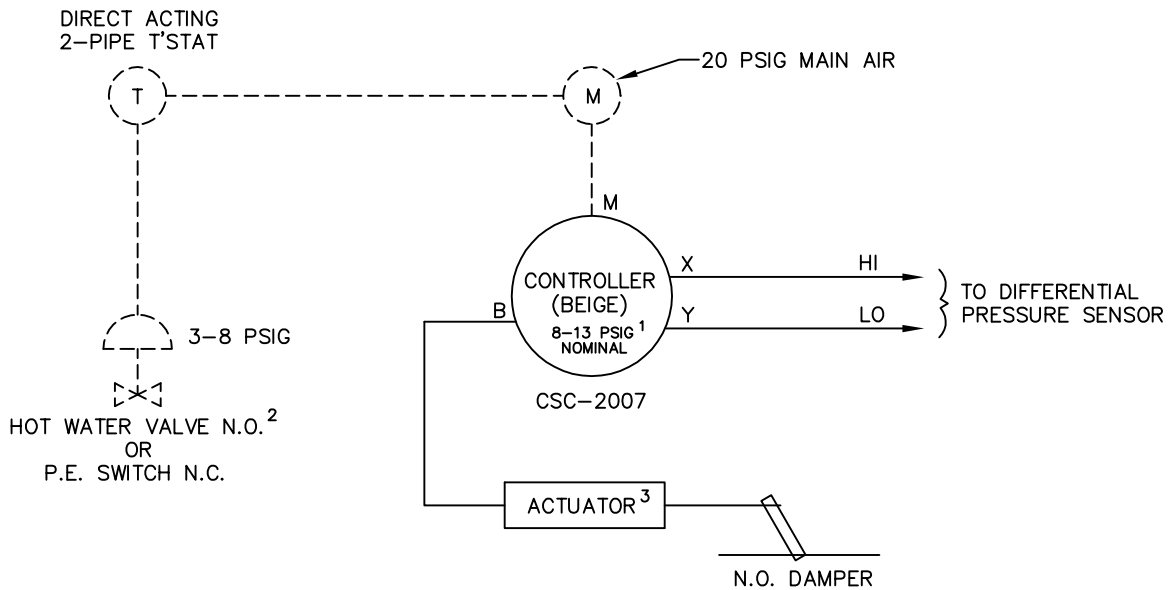
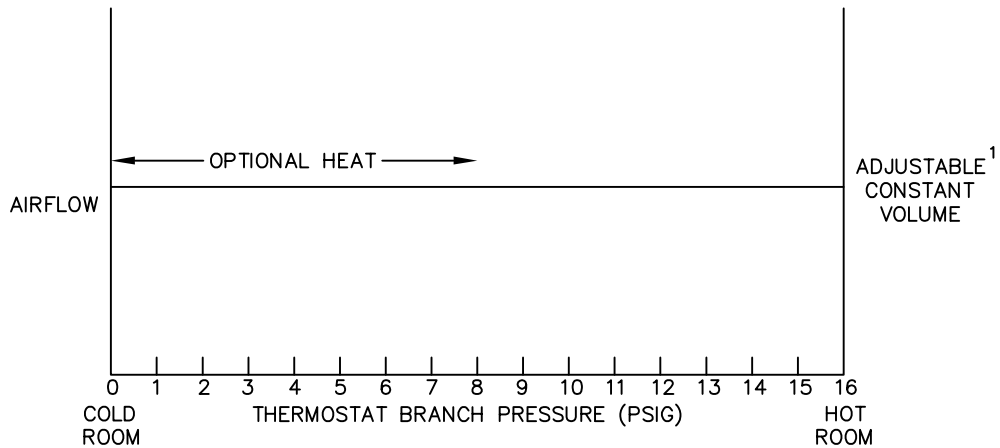


A direct acting, two-pipe thermostat is required for reheat only. Damper is normally open. Optional reheat control will require a normally open hot water valve or a normally closed P.E. switch. A field adjustable constant volume is supplied to the room at all times. As the space temperature drops, the thermostat will energize an optional electric heater or hot water coil valve to provide heat.



- ¹ ADJUST "LO" DIAL FOR SPECIFIED AIR VOLUME
- ² HOT WATER VALVE SUPPLIED BY OTHERS
P.E. SWITCH IS INCLUDED IN ELECTRIC HEATER
- ³ UNIT SIZES 19 & 22 UTILIZE DUAL
ROTARY PNEUMATIC DAMPER ACTUATORS

———— FACTORY PIPING - - - - FIELD PIPING

PNEUMATIC AIR CONSUMPTION 0.5 SCFH



TITLE:		SD448R	
PRESSURE INDEPENDENT PNEUMATIC CONTROLS			
THIS DRAWING CONTAINS PROPRIETARY DATA. UNAUTHORIZED DISCLOSURE, REPRODUCTION, OR USE IS STRICTLY PROHIBITED WITHOUT WRITTEN PERMISSION			

DRN BY: AWW	DATE: 07/09/03
CKD BY: WAE	DATE: 10/08/08
	REV: 04

DRAWING NO.
16386

UNCONTROLLED WHEN PRINTED