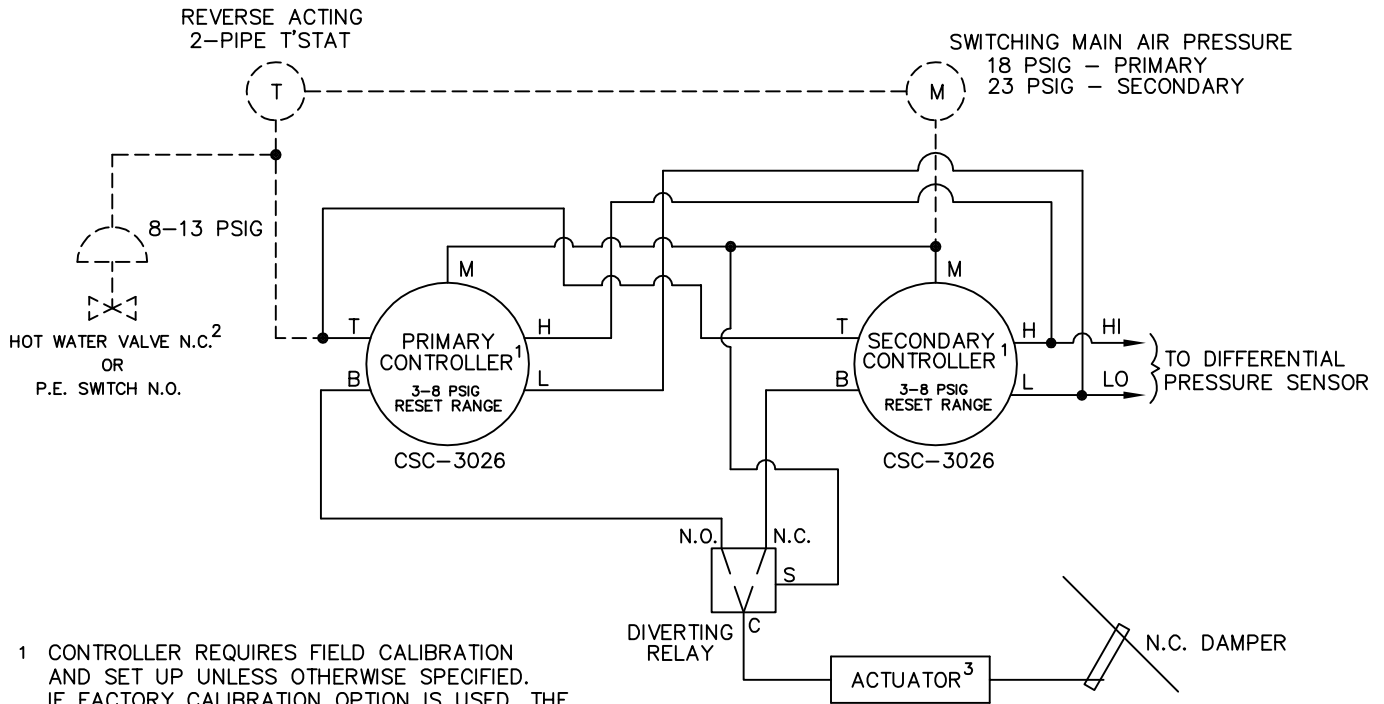
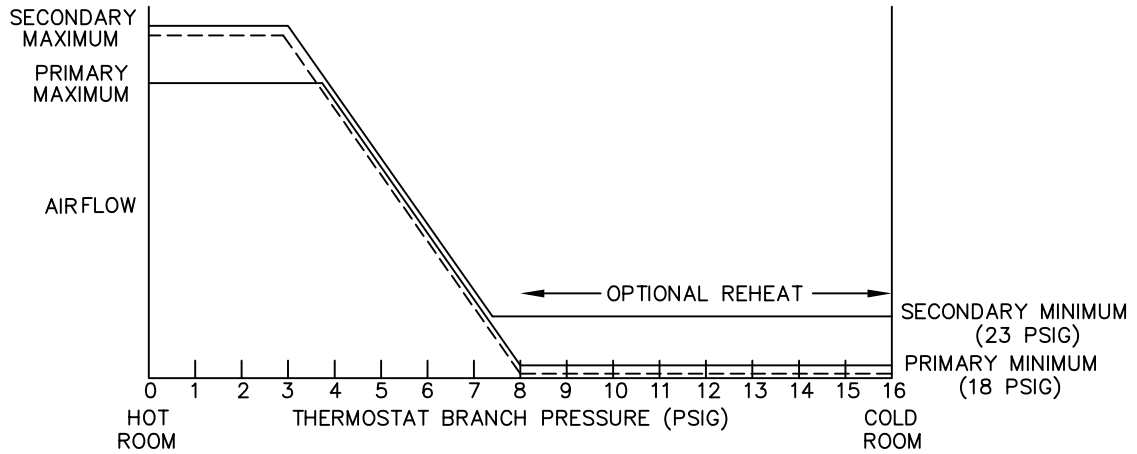


This control sequence provides single duct variable air volume control with dual maximum and/or dual minimum airflow setpoints. Optional reheat control will require a normally closed hot water valve or a normally open P.E. switch. On a rise in space temperature airflow is increased. On a drop in space temperature airflow is decreased. A 23 PSIG signal (by others) switches the airflow setpoint values from the primary controller to the secondary controller. The controllers can be calibrated to provide a constant reset range regardless of airflow limits.



- 1 CONTROLLER REQUIRES FIELD CALIBRATION AND SET UP UNLESS OTHERWISE SPECIFIED. IF FACTORY CALIBRATION OPTION IS USED, THE RESET SPAN AND STARTPOINT WILL BE ADJUSTED AS SHOWN ABOVE UNLESS OTHERWISE SPECIFIED.
- 2 HOT WATER VALVE SUPPLIED BY OTHERS P.E. SWITCH IS INCLUDED IN ELECTRIC HEATER
- 3 UNIT SIZES 19 & 22 UTILIZE DUAL ROTARY PNEUMATIC DAMPER ACTUATORS

— FACTORY PIPING - - - - FIELD PIPING

PNEUMATIC AIR CONSUMPTION 2.0 SCFH

	TITLE:	SD453RC	DRN BY:	AWW	DATE:	04/04/96	DRAWING NO.	17816
	PRESSURE INDEPENDENT PNEUMATIC CONTROLS		CKD BY:	WAE	DATE:	10/08/08	REV:	
<small>THIS DRAWING CONTAINS PROPRIETARY DATA. UNAUTHORIZED DISCLOSURE, REPRODUCTION, OR USE IS STRICTLY PROHIBITED WITHOUT WRITTEN PERMISSION</small>								