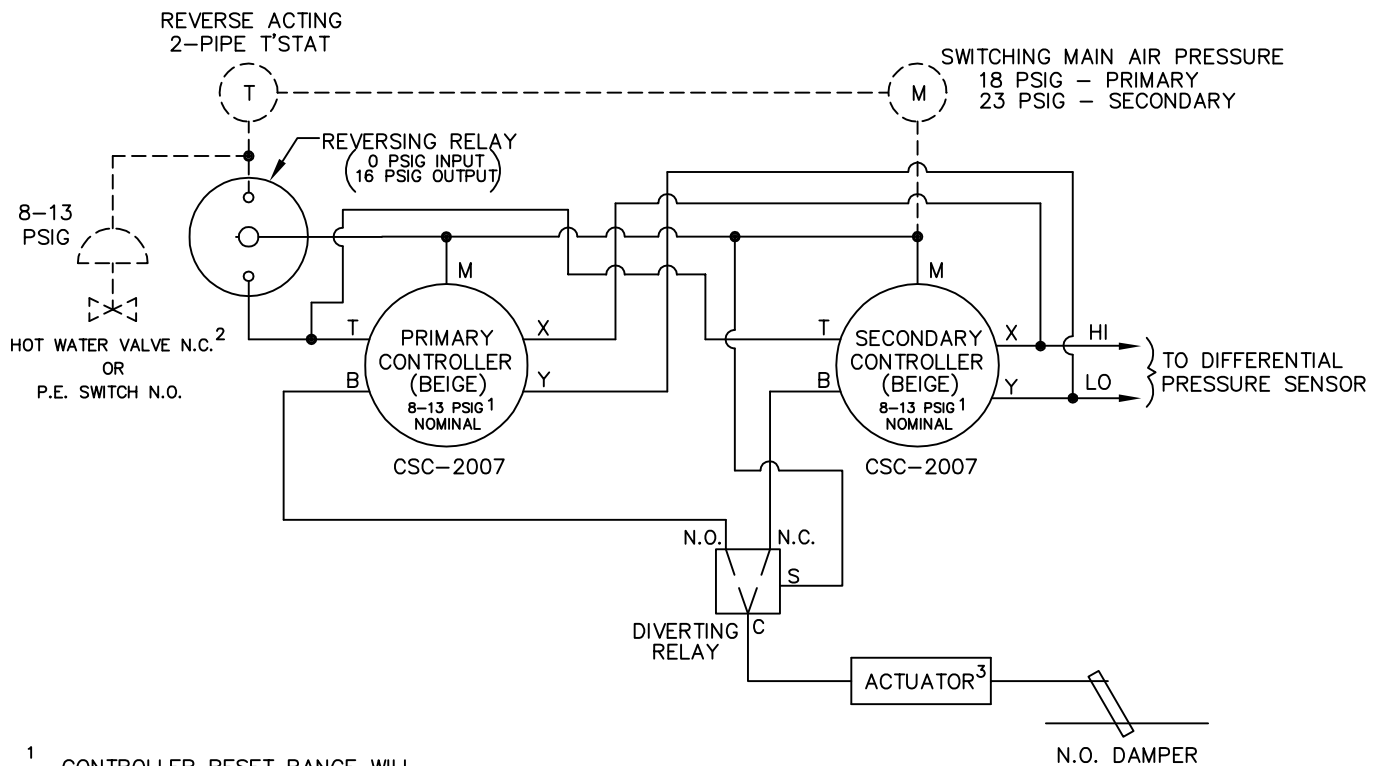
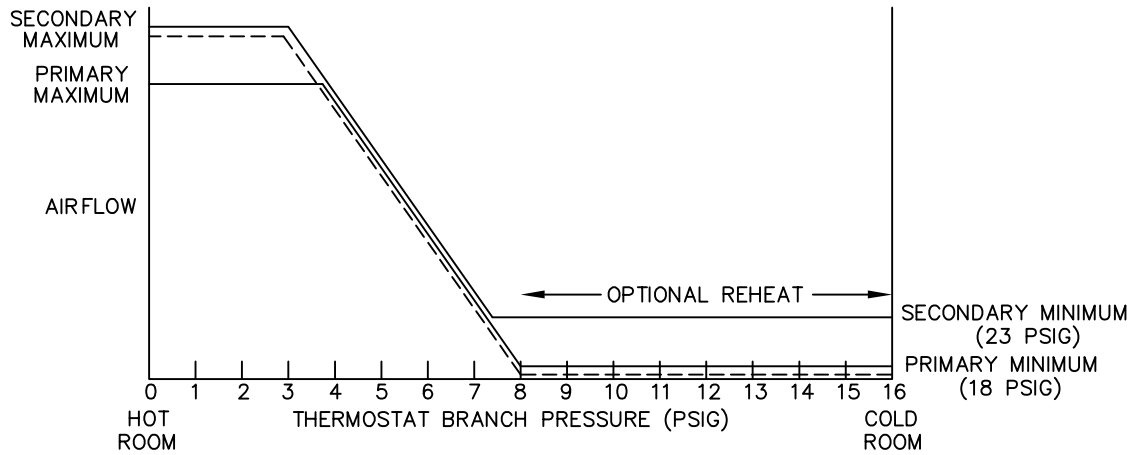


This control sequence provides single duct variable air volume control with dual maximum and/or dual minimum airflow setpoints. Optional reheat control will require a normally closed hot water valve or a normally open P.E. switch. On a rise in space temperature airflow is increased. On a drop in space temperature airflow is decreased. A 23 PSIG signal (by others) switches the airflow setpoint values from the primary controller to the secondary controller.



- 1 CONTROLLER RESET RANGE WILL VARY WITH AIRFLOW LIMITS
- 2 HOT WATER VALVE SUPPLIED BY OTHERS P.E. SWITCH IS INCLUDED IN ELECTRIC HEATER
- 3 UNIT SIZES 19 & 22 UTILIZE DUAL ROTARY PNEUMATIC DAMPER ACTUATORS.

———— FACTORY PIPING - - - - - FIELD PIPING

PNEUMATIC AIR CONSUMPTION 1.6 SCFH



TITLE:	SD454R	DRN BY:	AWW	DATE:	05/10/94	DRAWING NO.	16392
PRESSURE INDEPENDENT PNEUMATIC CONTROLS		CKD BY:	WAE	DATE:	10/08/08	REV:	
THIS DRAWING CONTAINS PROPRIETARY DATA. UNAUTHORIZED DISCLOSURE, REPRODUCTION, OR USE IS STRICTLY PROHIBITED WITHOUT WRITTEN PERMISSION							

UNCONTROLLED WHEN PRINTED