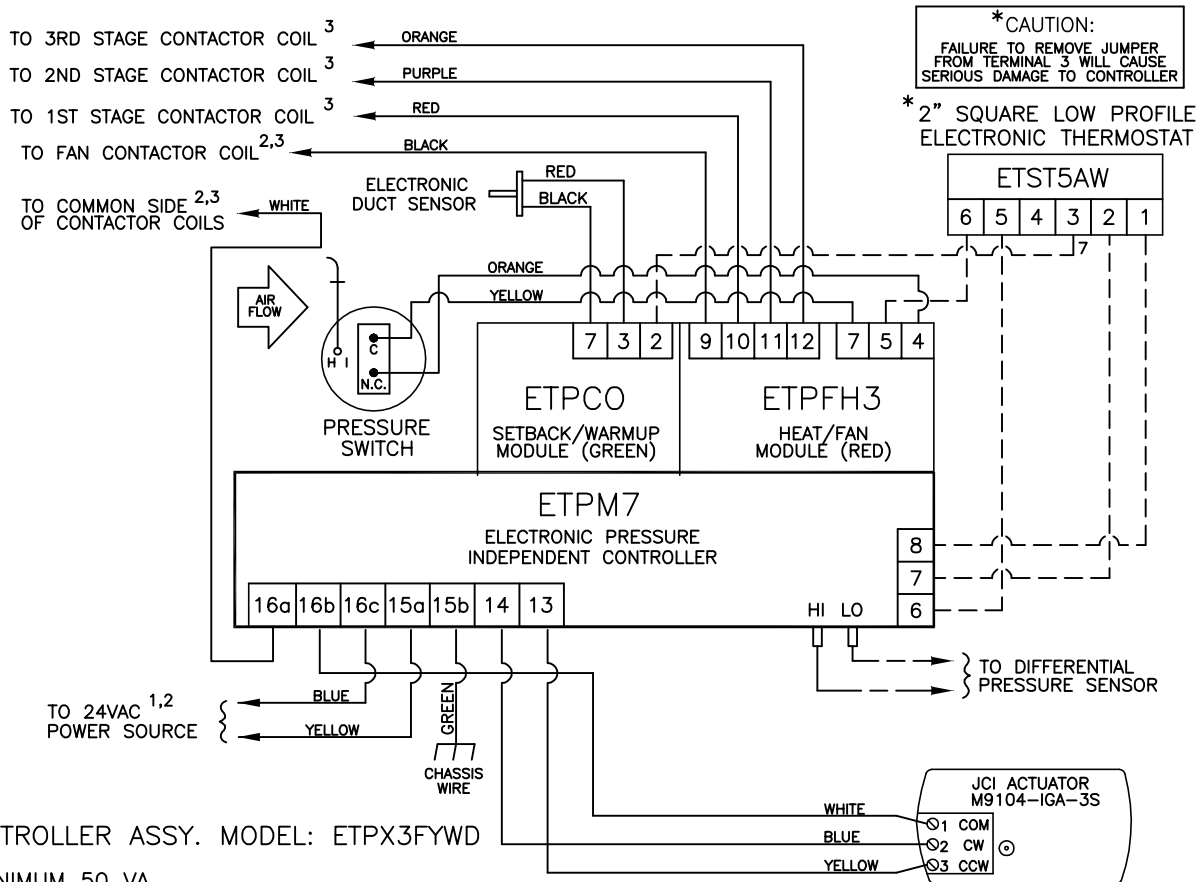
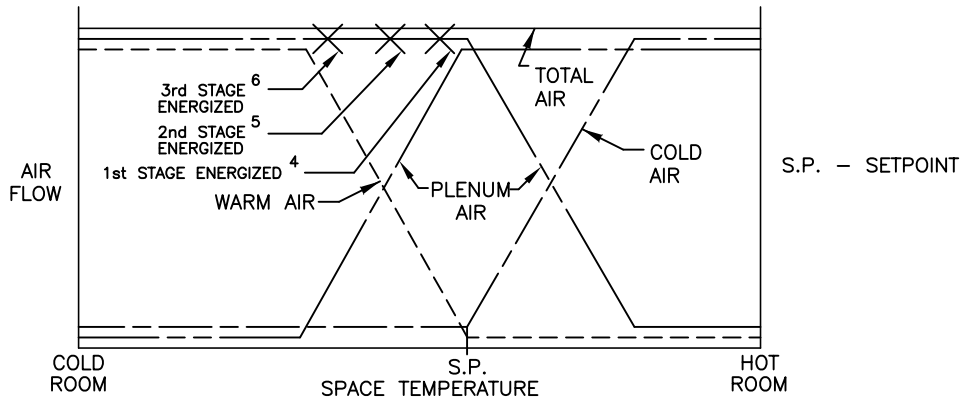


This application applies to Series Flow fan powered terminals providing summer/winter changeover and/or morning warm up and three stages of electric heat. The unit fan draws either cold primary air or warm plenum air to satisfy the load. If plenum air fails to maintain setpoint, heat is energized in stages to satisfy the load. Warm air is sensed by an electronic duct sensor, causing the primary air valve to reverse operation for changeover or morning warm up (heat is deenergized). When system air is failed, the primary air valve closes and the unit fan and heat are deenergized for night operation. Air volume limits are located at the thermostat.



CONTROLLER ASSY. MODEL: ETPX3FYWD

1 MINIMUM 50 VA

2 TRANSFORMER AND FAN RELAY ARE LOCATED IN HEATER ENCLOSURE—REFER TO HEATER WIRING DIAGRAM.

3 MAXIMUM 10 VA HOLDING COIL

4 ENERGIZED 2° F BELOW SETPOINT

5 ENERGIZED 3° F BELOW SETPOINT

6 ENERGIZED 4° F BELOW SETPOINT

7 REMOVE JUMPER ON TERMINAL 3 BEFORE INSTALLATION

--- FACTORY TUBING

--- FIELD WIRING

--- FACTORY WIRING

TITLE:

**FC7102**

PRESSURE INDEPENDENT ELECTRONIC CONTROLS

**ENVIRO-TEC**  
BY JOHNSON CONTROLS

DRN BY: WDD	DATE: 04/14/00	SCALE: N/A	DRAWING NO.
OKD BY: WAE	DATE: 04/08/08	REV: 08	20855

THIS DRAWING CONTAINS PROPRIETARY DATA. UNAUTHORIZED DISCLOSURE, REPRODUCTION, OR USE IS STRICTLY PROHIBITED WITHOUT WRITTEN PERMISSION

DO NOT SCALE DRAWING. DIMENSIONS AND DATA ARE SUBJECT TO CHANGE WITHOUT NOTICE. CONTACT FACTORY FOR CERTIFIED DRAWINGS.