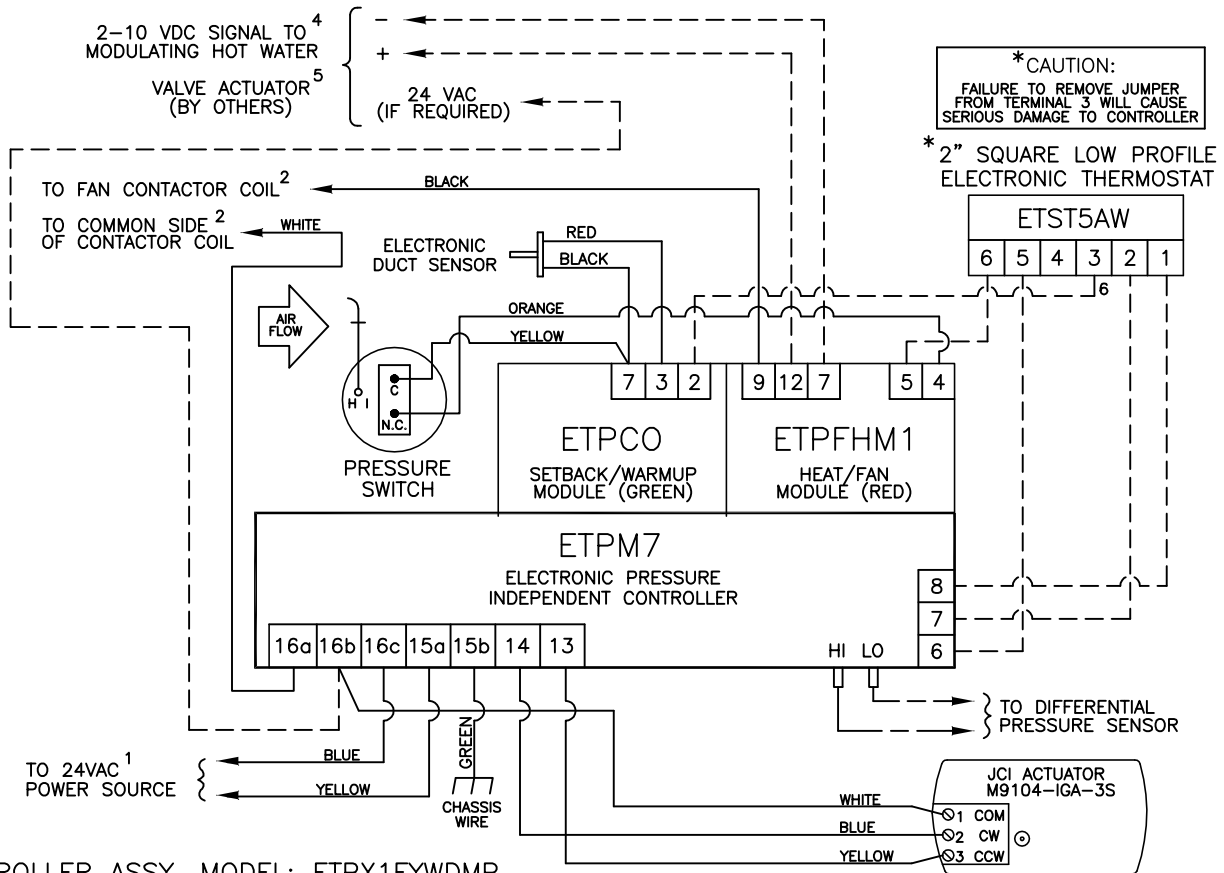
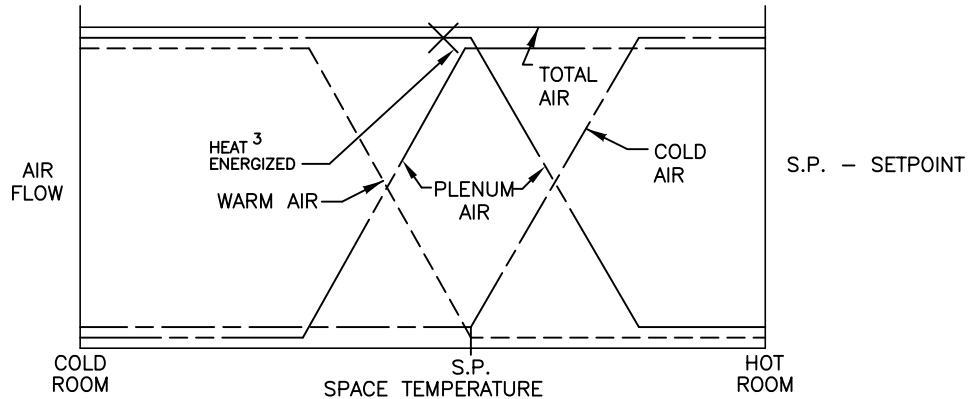


This application applies to Series Flow fan powered terminals providing summer/winter changeover and/or morning warm up and proportional modulating hot water heat. The unit fan draws either cold primary air or warm plenum air to satisfy the load. If plenum air fails to maintain setpoint, heat is modulated to satisfy the load. Warm air is sensed by an electronic duct sensor causing the primary air valve to reverse operation for changeover or morning warm up (heat is deenergized). When system air is failed, the primary air valve closes and the unit fan and heat are deenergized for night operation. Air volume limits are located at the thermostat.



CONTROLLER ASSY. MODEL: ETPX1FYWDMP

- 1 MINIMUM 40 VA. UP TO 20 VA AVAILABLE FOR HOT WATER ACTUATOR (BY OTHERS). REFER TO FAN WIRING DIAGRAM FOR TRANSFORMER AND RELAY WIRING, AND OTHER HIGH VOLTAGE WIRING.
- 2 MAXIMUM 10 VA HOLDING COIL
- 3 ENERGIZED 2° F BELOW SETPOINT FULL OPEN AT 5° F BELOW SETPOINT

- 4 CLOSED AT 10 VDC, OPEN AT 2 VDC. MAY ALSO BE USED WITH A 0-10 VDC INPUT VALVE ACTUATOR
- 5 SUPPLIED, MOUNTED AND WIRED BY OTHERS
- 6 REMOVE JUMPER ON TERMINAL 3 BEFORE INSTALLATION.

--- FACTORY TUBING
 - - - FIELD WIRING
 _____ FACTORY WIRING

FC7103 PRESSURE INDEPENDENT ELECTRONIC CONTROLS			
DRN BY: AWW DATE: 05/31/97 SCALE: N/A DRAWING NO.	THIS DRAWING CONTAINS PROPRIETARY DATA. UNAUTHORIZED DISCLOSURE, REPRODUCTION, OR USE IS STRICTLY PROHIBITED WITHOUT WRITTEN PERMISSION.	DO NOT SCALE DRAWING. DIMENSIONS AND DATA ARE SUBJECT TO CHANGE WITHOUT NOTICE. CONTACT FACTORY FOR CERTIFIED DRAWINGS.	REV: 09 19362