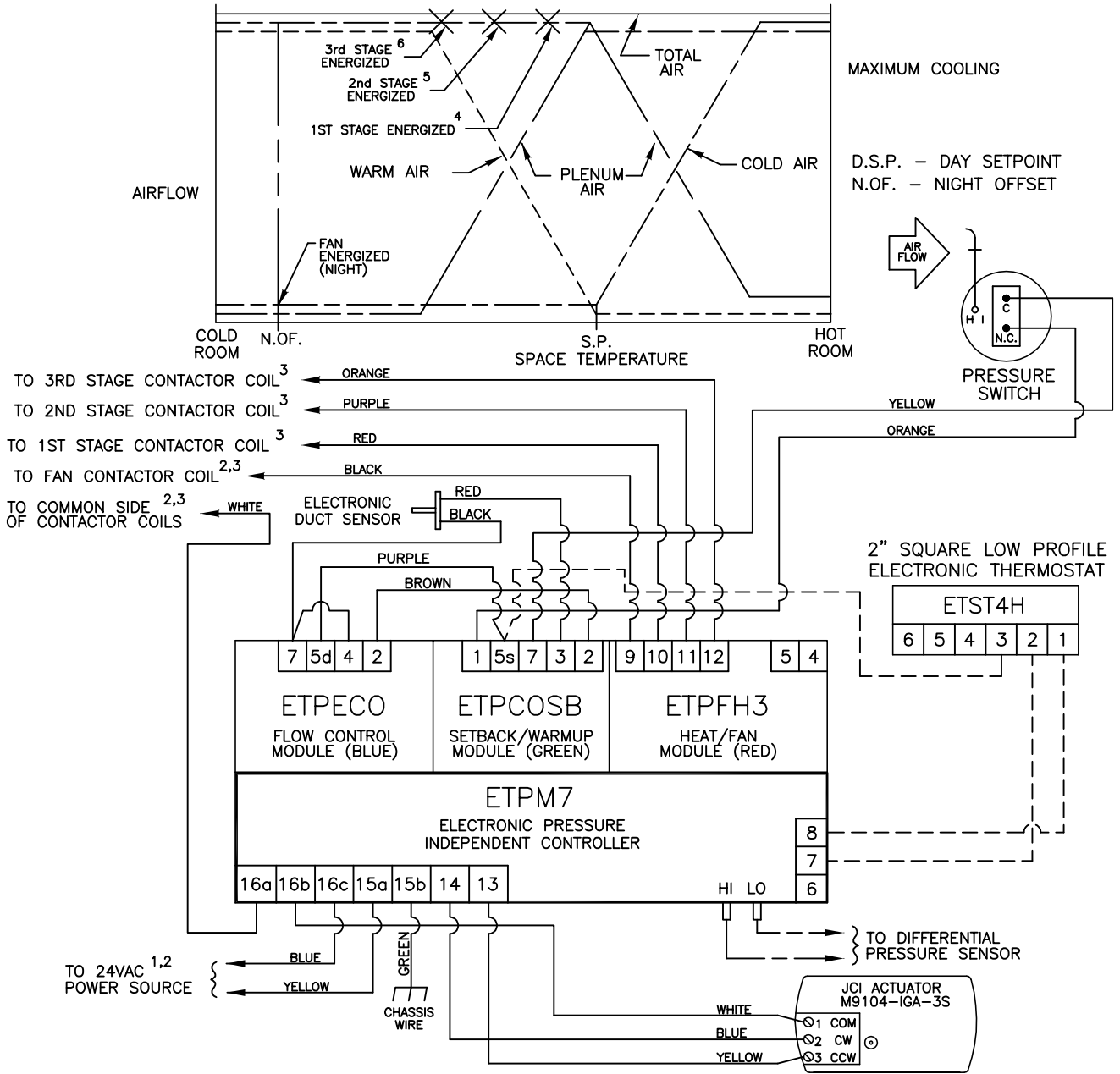


This application applies to Series Flow fan powered terminals providing three stages of electric heat, night setback and summer/winter changeover and/or morning warm up. The unit fan draws either cold primary air or warm plenum air to satisfy the load. If plenum air fails to maintain setpoint, heat is energized in stages to satisfy the load. When system air is failed, the unit automatically switches into the night setback mode. The primary air valve remains closed, and the unit fan and heat are cycled to maintain the night offset. Warm air is sensed by the electronic duct sensor causing the primary air valve to reverse operation for changeover or morning warm up (heat is deenergized). Air volume limits are located on the ETPECO module.



- 1 MINIMUM 50 VA
- 2 TRANSFORMER AND FAN RELAY ARE LOCATED IN HEATER ENCLOSURE—REFER TO HEATER WIRING DIAGRAM.
- 3 MAXIMUM 10 VA HOLDING COIL
- 4 ENERGIZED 2° F BELOW SETPOINT
- 5 ENERGIZED 3° F BELOW SETPOINT
- 6 ENERGIZED 4° F BELOW SETPOINT

CONTROLLER ASSY. MODEL: ETPX3FBCD

FC7502		ENVIRO-TEC[®]	
PRESSURE INDEPENDENT ELECTRONIC CONTROLS		BY JOHNSON CONTROLS	
DRN BY: WDD	DATE: 04/17/00	SCALE: N/A	DRAWING NO.
OKD BY: WAE	DATE: 04/09/08	REV: 07	20859
THIS DRAWING CONTAINS PROPRIETARY DATA. UNAUTHORIZED DISCLOSURE, REPRODUCTION, OR USE IS STRICTLY PROHIBITED WITHOUT WRITTEN PERMISSION.		DO NOT SCALE DRAWING. DIMENSIONS AND DATA ARE SUBJECT TO CHANGE WITHOUT NOTICE. CONTACT FACTORY FOR CERTIFIED DRAWINGS.	