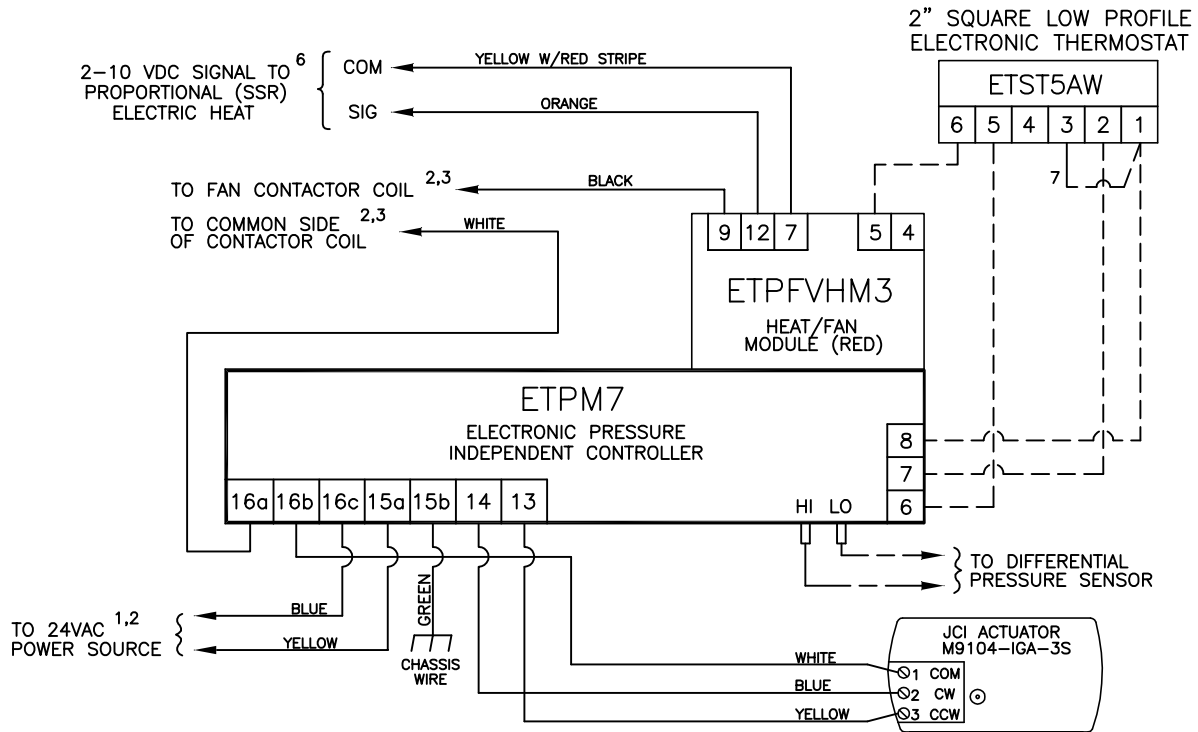
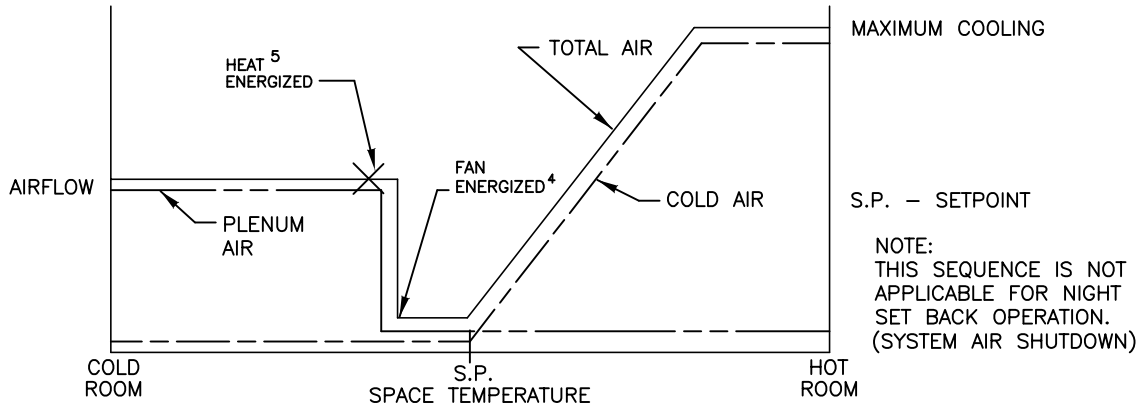


This application provides intermittent fan powered variable air volume control with proportional modulating electric (SSR) heat. As space temperature drops, primary airflow is reset from maximum to minimum setpoint. As space temperature continues to drop, the unit fan is energized thus supplying plenum air to the space. On a further drop in space temperature, heat is modulated to satisfy the load. Air volume limits are located at the thermostat.



CONTROLLER ASSY. MODEL: ETPX1FTHP

- 1 MINIMUM 40 VA
- 2 TRANSFORMER AND FAN RELAY ARE LOCATED IN HEATER ENCLOSURE—REFER TO HEATER WIRING DIAGRAM
- 3 MAXIMUM 10 VA HOLDING COIL
- 4 ENERGIZED 1° F BELOW SETPOINT
- 5 ENERGIZED 2° F BELOW SETPOINT FULL ON AT 5° F BELOW SETPOINT
- 6 OFF AT 2 VDC, FULL ON AT 10 VDC
- 7 WIRE TERMINAL 3 TO TERMINAL 1

--- FACTORY TUBING
 - - - - - FIELD WIRING
 ——— FACTORY WIRING

FV7005		ENVIRO-TEC BY JOHNSON CONTROLS	
PRESSURE INDEPENDENT ELECTRONIC CONTROLS		DRN BY: AWW	DATE: 10/13/97
THIS DRAWING CONTAINS PROPRIETARY DATA. UNAUTHORIZED DISCLOSURE, REPRODUCTION, OR USE IS STRICTLY PROHIBITED WITHOUT WRITTEN PERMISSION.		SCALE: N/A	DRAWING NO.
DO NOT SCALE DRAWING. DIMENSIONS AND DATA ARE SUBJECT TO CHANGE WITHOUT NOTICE. CONTACT FACTORY FOR CERTIFIED DRAWINGS.		OKD BY: WAE	DATE: 04/09/08
		REV: 10	19530