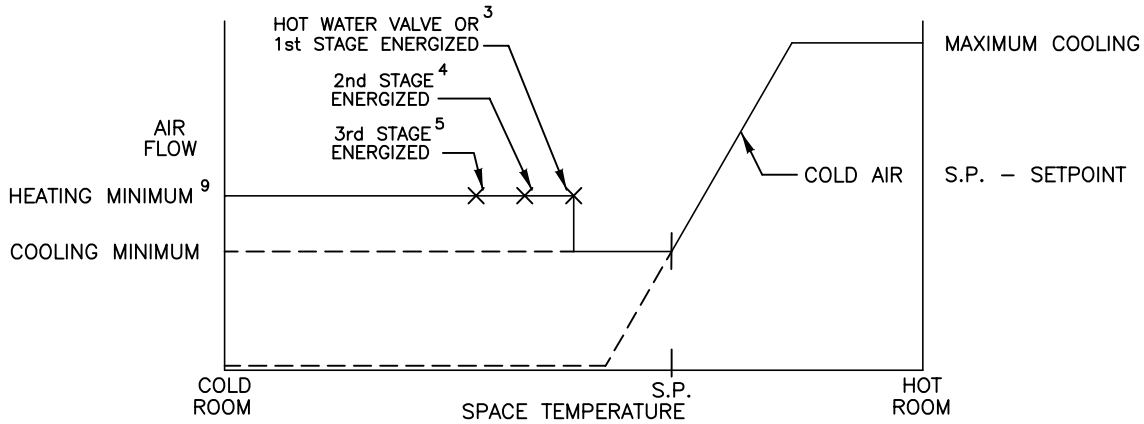
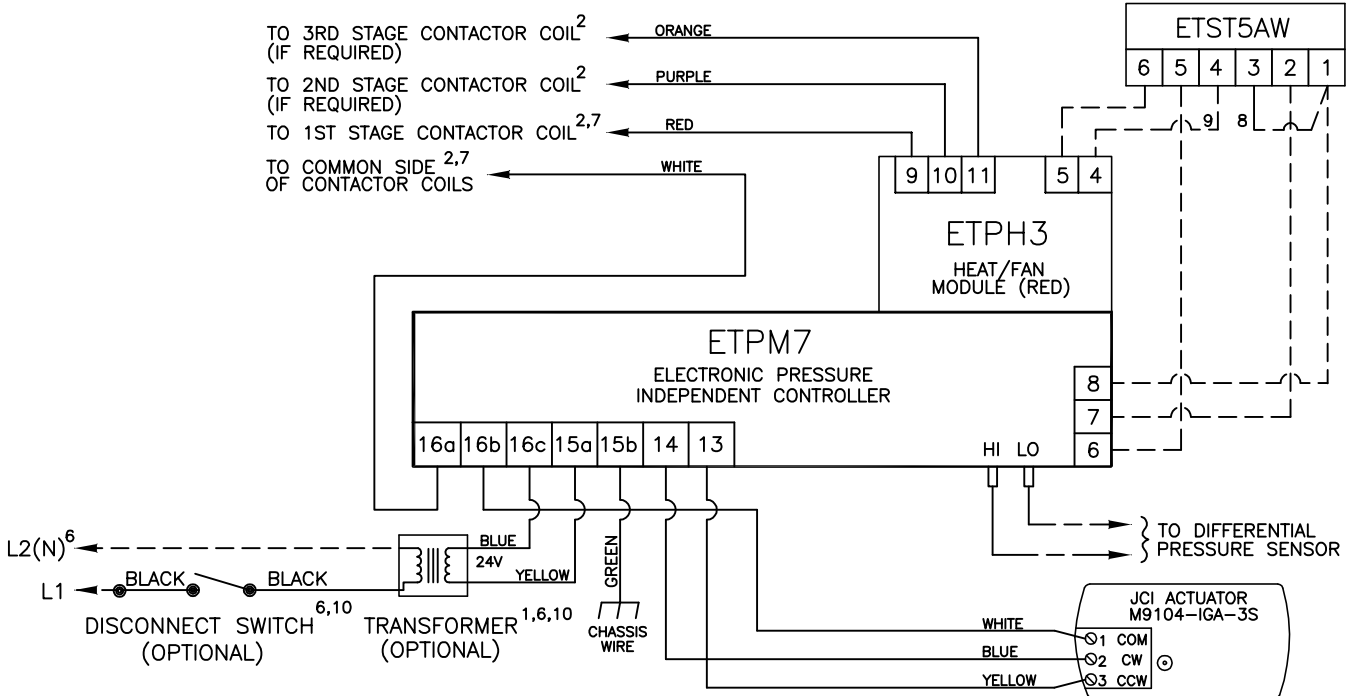


This application provides single duct variable air volume cooling with up to three stages of electric or hot water reheat and dual minimum setpoints. As space temperature drops, airflow is reset from maximum to minimum setpoint. As space temperature continues to drop, airflow is reset to a higher setpoint and reheat is energized in stages to satisfy the load. Air volume limits are located at the thermostat.



2" SQUARE LOW PROFILE ELECTRONIC THERMOSTAT



CONTROLLER ASSY. MODEL: ETPXN

1 MINIMUM 40 VA

2 MAXIMUM 10 VA HOLDING COIL

3 ENERGIZED 2° F BELOW SETPOINT

4 ENERGIZED 3° F BELOW SETPOINT

5 ENERGIZED 4° F BELOW SETPOINT

6 IF ELECTRIC HEAT IS PROVIDED, TRANSFORMER AND DISCONNECT SWITCH ARE LOCATED IN THE HEATER ENCLOSURE AND TRANSFORMER PRIMARY VOLTAGE IS DEPENDENT ON HEATER LINE VOLTAGE REQUIREMENT.

7 IF HOT WATER REHEAT IS USED, FIELD WIRING IS REQUIRED.

8 WIRE TERMINAL 3 TO TERMINAL 1 IN THE FIELD

9 IF DUAL MINIMUMS ARE NOT DESIRED, WIRE FROM TERMINAL 4 OF ETST5AW TO TERMINAL 4 OF ETPH3 IS NOT REQUIRED

10 IF ELECTRIC HEAT IS NOT PROVIDED, SEE ORDER ACKNOWLEDGEMENT FOR OPTIONAL ITEMS REQUIREMENTS

--- FACTORY TUBING
 - - - FIELD WIRING
 _____ FACTORY WIRING

TITLE:

SD7001

PRESSURE INDEPENDENT ELECTRONIC CONTROLS

ENVIRO-TEC
 BY JOHNSON CONTROLS

DRN BY: AWW	DATE: 01/14/97	SCALE: N/A	DRAWING NO.
CKD BY: WAE	DATE: 04/09/08	REV: 10	

19159

THIS DRAWING CONTAINS PROPRIETARY DATA. UNAUTHORIZED DISCLOSURE, REPRODUCTION, OR USE IS STRICTLY PROHIBITED WITHOUT WRITTEN PERMISSION

DO NOT SCALE DRAWING. DIMENSIONS AND DATA ARE SUBJECT TO CHANGE WITHOUT NOTICE. CONTACT FACTORY FOR CERTIFIED DRAWINGS.