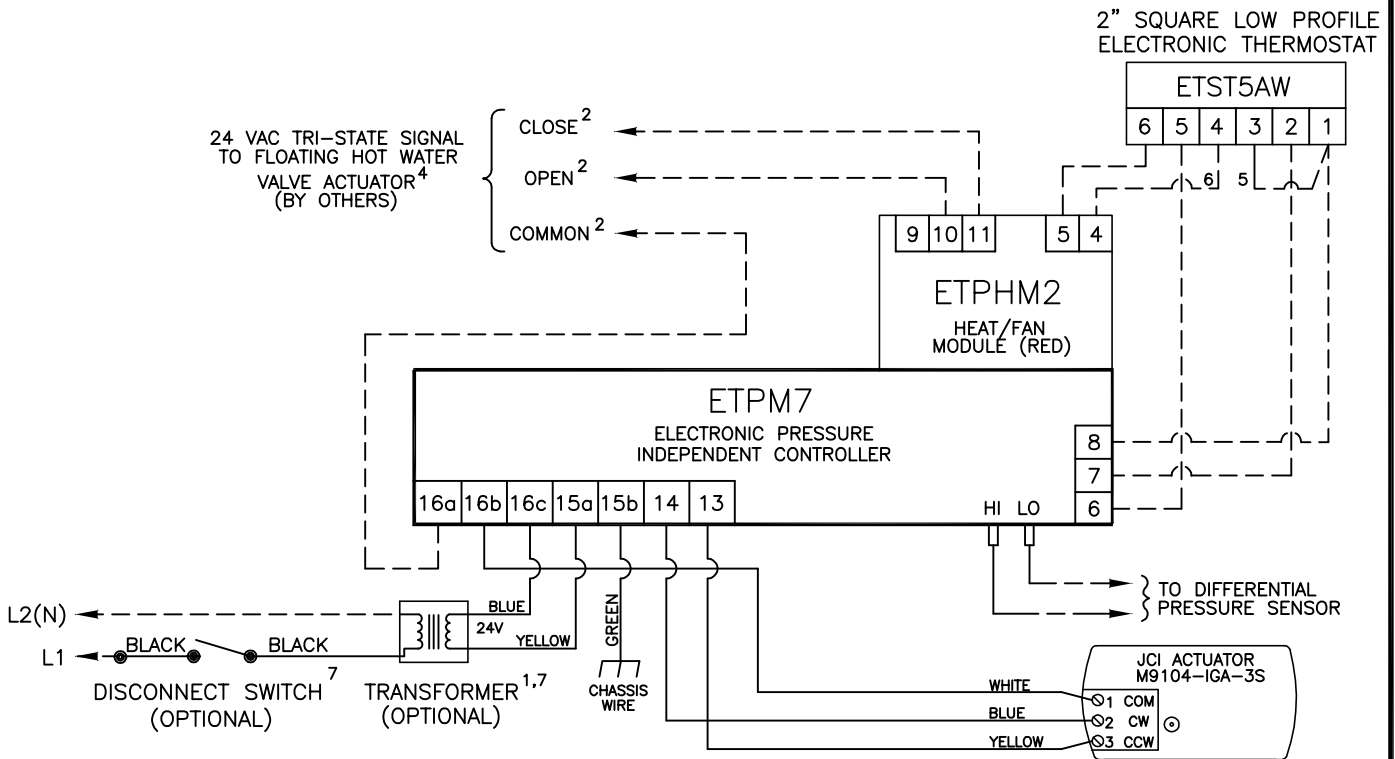
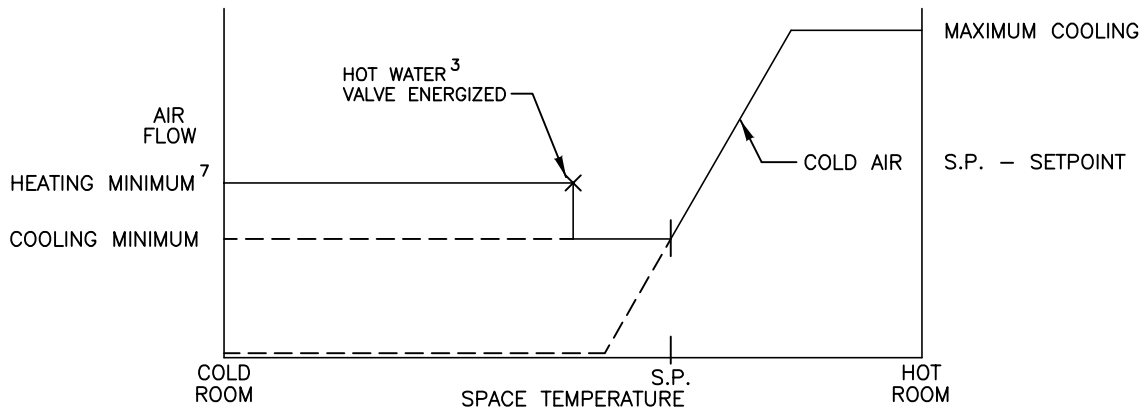


This application provides single duct variable air volume cooling with floating modulating hot water reheat and dual minimum setpoints. As space temperature drops, airflow is reset from maximum to minimum setpoint. As space temperature continues to drop, airflow is reset to a higher setpoint and reheat is modulated to satisfy the load. Air volume limits are located at the thermostat.



- 1 MINIMUM 40 VA
UP TO 30 VA AVAILABLE FOR HOT
WATER VALVE ACTUATOR (BY OTHERS)
- 2 MAXIMUM 15 VA HOLDING COIL
- 3 ENERGIZED 2° F BELOW SETPOINT
- 4 SUPPLIED, MOUNTED AND WIRED
BY OTHERS

- 5 WIRE TERMINAL 3 TO TERMINAL 1
IN THE FIELD
- 6 IF DUAL MINIMUMS ARE NOT DESIRED,
WIRE FROM TERMINAL 4 OF ETST5AW TO
TERMINAL 4 OF ETPHM2 IS NOT REQUIRED
- 7 SEE ORDER ACKNOWLEDGEMENT FOR
OPTIONAL ITEM REQUIREMENTS

--- FACTORY TUBING
 - - - - - FIELD WIRING
 _____ FACTORY WIRING

TITLE: <div style="text-align: center;">SD7004</div> PRESSURE INDEPENDENT ELECTRONIC CONTROLS			
DRN BY: AWW	DATE: 06/30/97	SCALE: N/A	DRAWING NO.
OKD BY: WAE	DATE: 04/09/08	REV: 10	19406
THIS DRAWING CONTAINS PROPRIETARY DATA. UNAUTHORIZED DISCLOSURE, REPRODUCTION, OR USE IS STRICTLY PROHIBITED WITHOUT WRITTEN PERMISSION		DO NOT SCALE DRAWING DIMENSIONS AND DATA ARE SUBJECT TO CHANGE WITHOUT NOTICE. CONTACT FACTORY FOR CERTIFIED DRAWINGS.	