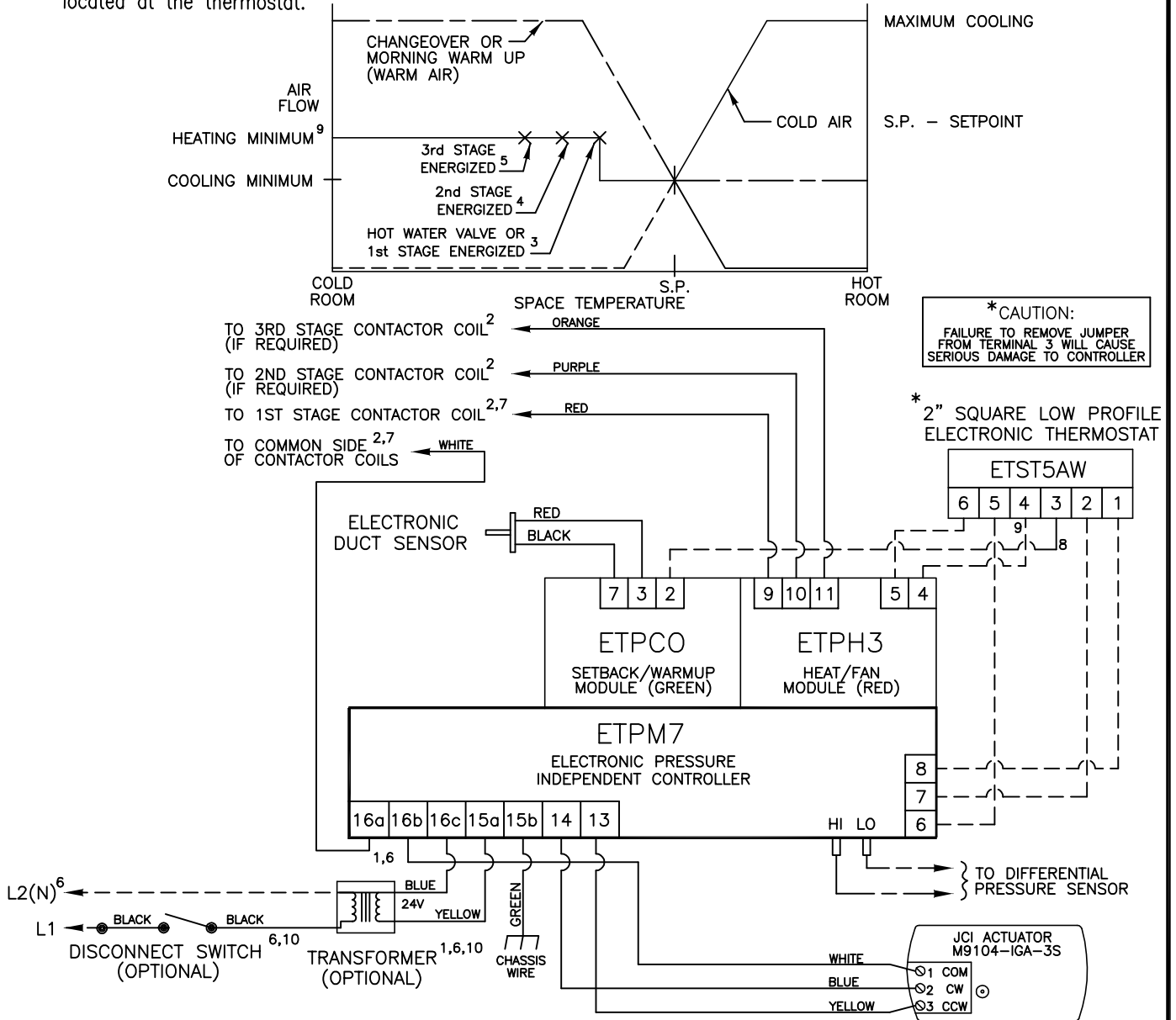


This application provides single duct variable air volume cooling with up to three stages of electric or hot water reheat, summer/winter changeover and/or morning warm up, and dual minimum setpoints. As space temperature drops, airflow is reset from maximum to minimum setpoint. As space temperature continues to drop, airflow is reset to a higher setpoint and reheat is energized in stages to satisfy the load. Warm air is sensed by an electronic duct sensor causing the sequence to reverse for changeover or morning warm up (reheat is disabled). Air volume limits are located at the thermostat.



CONTROLLER ASSY. MODEL: ETPXNCD

- 1 MINIMUM 40 VA
- 2 MAXIMUM 10 VA HOLDING COIL
- 3 ENERGIZED 2° F BELOW SETPOINT
- 4 ENERGIZED 3° F BELOW SETPOINT
- 5 ENERGIZED 4° F BELOW SETPOINT
- 6 IF ELECTRIC HEAT IS PROVIDED, TRANSFORMER AND DISCONNECT ARE LOCATED IN THE HEATER ENCLOSURE AND TRANSFORMER PRIMARY VOLTAGE IS DEPENDENT ON HEATER LINE VOLTAGE REQUIREMENT
- 7 IF HOT WATER REHEAT IS USED, FIELD WIRING IS REQUIRED.
- 8 REMOVE JUMPER ON TERMINAL 3 BEFORE INSTALLATION.
- 9 IF DUAL MINIMUMS ARE NOT DESIRED, WIRE FROM TERMINAL 4 OF ETST5AW TO TERMINAL 4 OF ETPH3 IS NOT REQUIRED
- 10 IF ELECTRIC HEAT IS NOT PROVIDED, SEE ORDER ACKNOWLEDGEMENT FOR OPTIONAL ITEMS REQUIREMENTS

--- FACTORY TUBING
 - - - FIELD WIRING
 _____ FACTORY WIRING

SD7101		ENVIRO-TEC®	
PRESSURE INDEPENDENT ELECTRONIC CONTROLS		BY JOHNSON CONTROLS	
DRN BY: AWW	DATE: 03/12/97	SCALE: N/A	DRAWING NO.
CKD BY: WAE	DATE: 04/09/08	REV: 11	19287
THIS DRAWING CONTAINS PROPRIETARY DATA. UNAUTHORIZED DISCLOSURE, REPRODUCTION, OR USE IS STRICTLY PROHIBITED WITHOUT WRITTEN PERMISSION		DO NOT SCALE DRAWING. DIMENSIONS AND DATA ARE SUBJECT TO CHANGE WITHOUT NOTICE. CONTACT FACTORY FOR CERTIFIED DRAWINGS.	