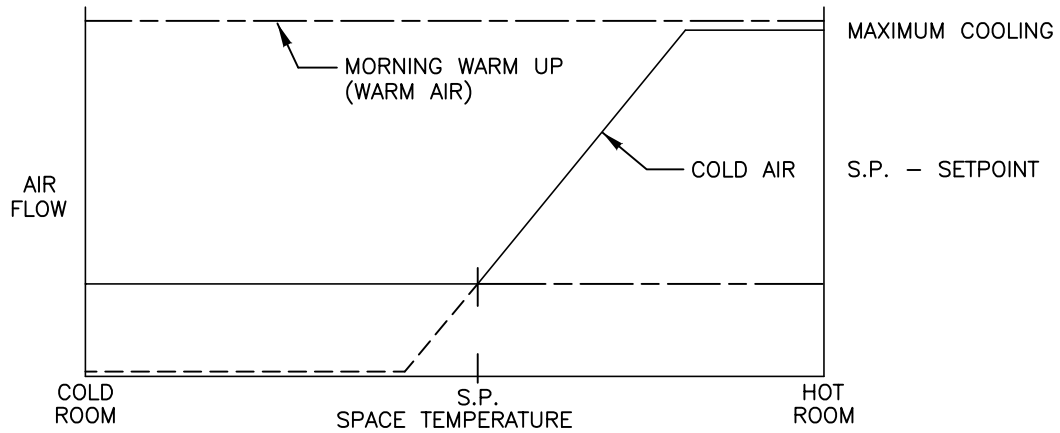
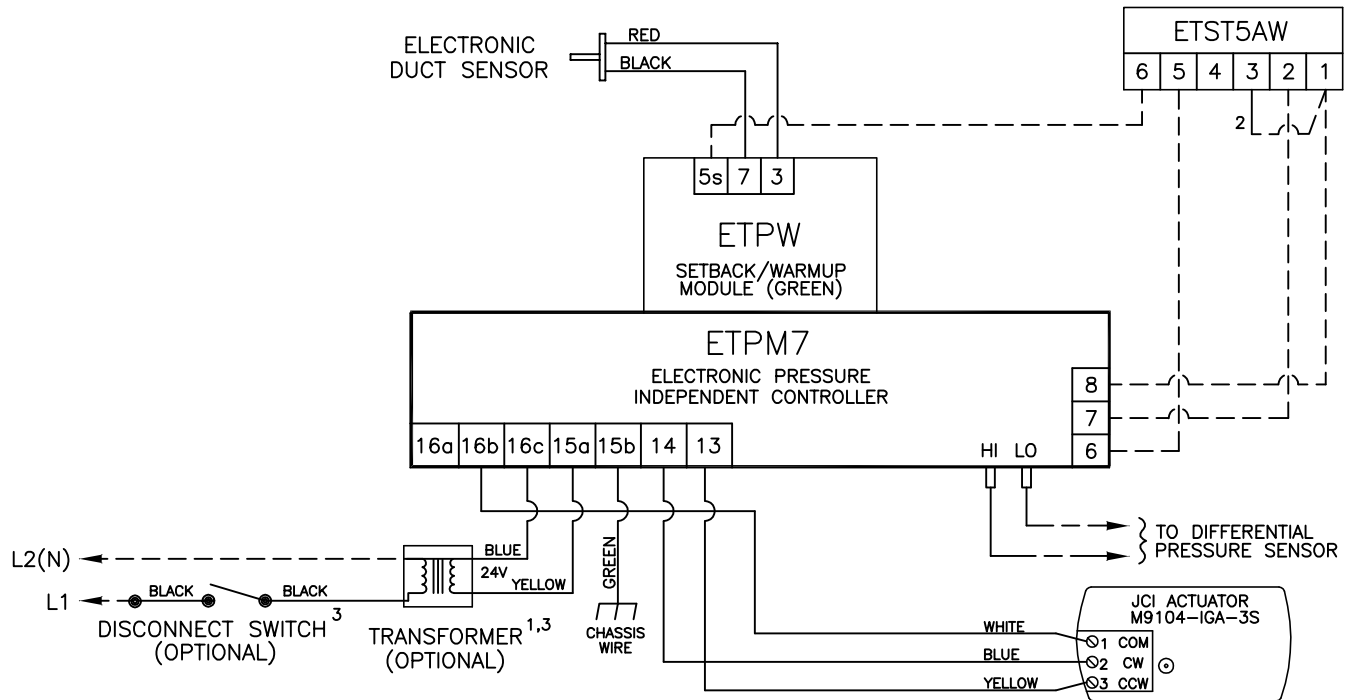


This application provides single duct variable air volume cooling with morning warm up. As space temperature drops, airflow is reset from maximum to minimum setpoint. Warm air is sensed by an electronic duct sensor causing the air valve to open to maximum airflow setpoint for morning warm up. Air volume limits are located at the thermostat.



2" SQUARE LOW PROFILE ELECTRONIC THERMOSTAT



CONTROLLER ASSY. MODEL: ETPX0WD

- 1 MINIMUM 10 VA
- 2 WIRE TERMINAL 3 TO TERMINAL 1 IN THE FIELD
- 3 SEE ORDER FOR OPTIONAL ITEM REQUIREMENTS

--- FACTORY TUBING
 - - - FIELD WIRING
 ——— FACTORY WIRING

TITLE: SD7300			
PRESSURE INDEPENDENT ELECTRONIC CONTROLS			
DRN BY: AWW	DATE: 09/30/97	SCALE: N/A	DRAWING NO. 19492
CKD BY: WAE	DATE: 04/09/08	REV: 08	
THIS DRAWING CONTAINS PROPRIETARY DATA. UNAUTHORIZED DISCLOSURE, REPRODUCTION, OR USE IS STRICTLY PROHIBITED WITHOUT WRITTEN PERMISSION.		DO NOT SCALE DRAWING. DIMENSIONS AND DATA ARE SUBJECT TO CHANGE WITHOUT NOTICE. CONTACT FACTORY FOR CERTIFIED DRAWINGS.	