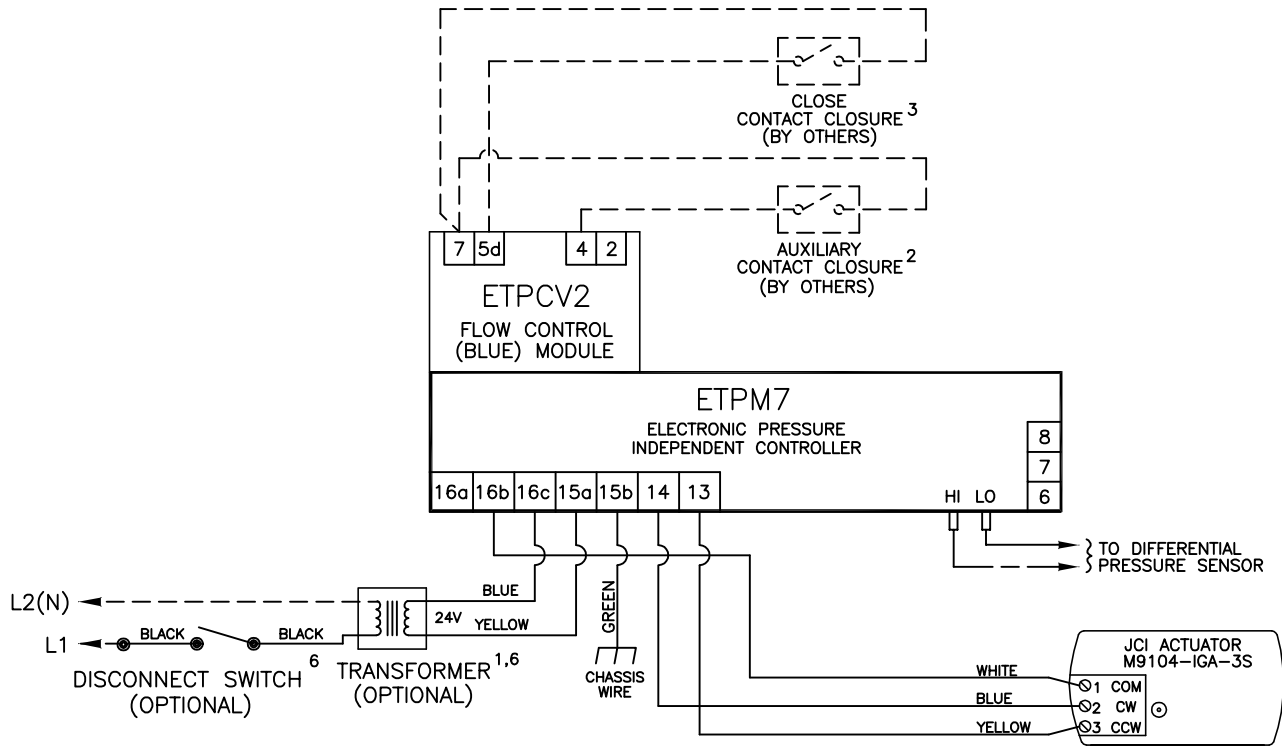
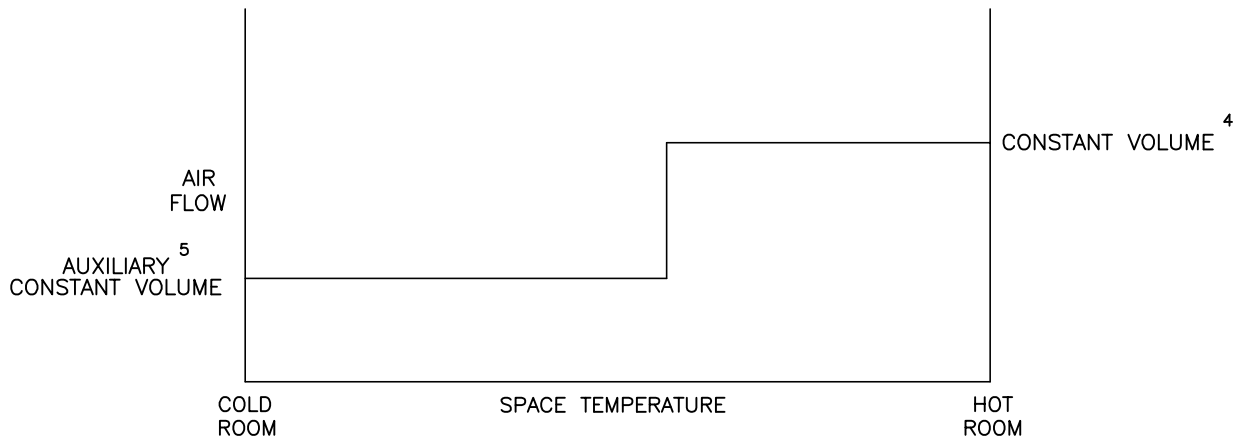


This application provides single duct dual flow constant volume cooling. A contact closure input is provided to close the damper. Air volume limit is located at the controller.



CONTROLLER ASSY. MODEL: ETPXVC

- 1 MINIMUM 10 VA
- 2 CLOSE CONTACT FOR AUXILIARY CONSTANT VOLUME
- 3 CLOSE CONTACT TO CLOSE DAMPER
- 4 ADJUST POTENTIOMETER LABELED "AUX" TO SET CONSTANT VOLUME
- 5 ADJUST POTENTIOMETER LABELED "MIN" TO SET AUXILIARY CONSTANT VOLUME
- 6 SEE ORDER ACKNOWLEDGEMENT FOR OPTIONAL ITEM REQUIREMENTS

- - - - - FACTORY TUBING
 - - - - - FIELD WIRING
 _____ FACTORY WIRING

SD7600 PRESSURE INDEPENDENT ELECTRONIC CONTROLS			
DRN BY: AWW DATE: 01/15/97 SCALE: NA DRAWING NO.	DATE: 04/09/08 REV: 10	19162	
THIS DRAWING CONTAINS PROPRIETARY DATA. UNAUTHORIZED DISCLOSURE, REPRODUCTION, OR USE IS STRICTLY PROHIBITED WITHOUT WRITTEN PERMISSION.		DO NOT SCALE DRAWING. DIMENSIONS AND DATA ARE SUBJECT TO CHANGE WITHOUT NOTICE. CONTACT FACTORY FOR CERTIFIED DRAWINGS.	